

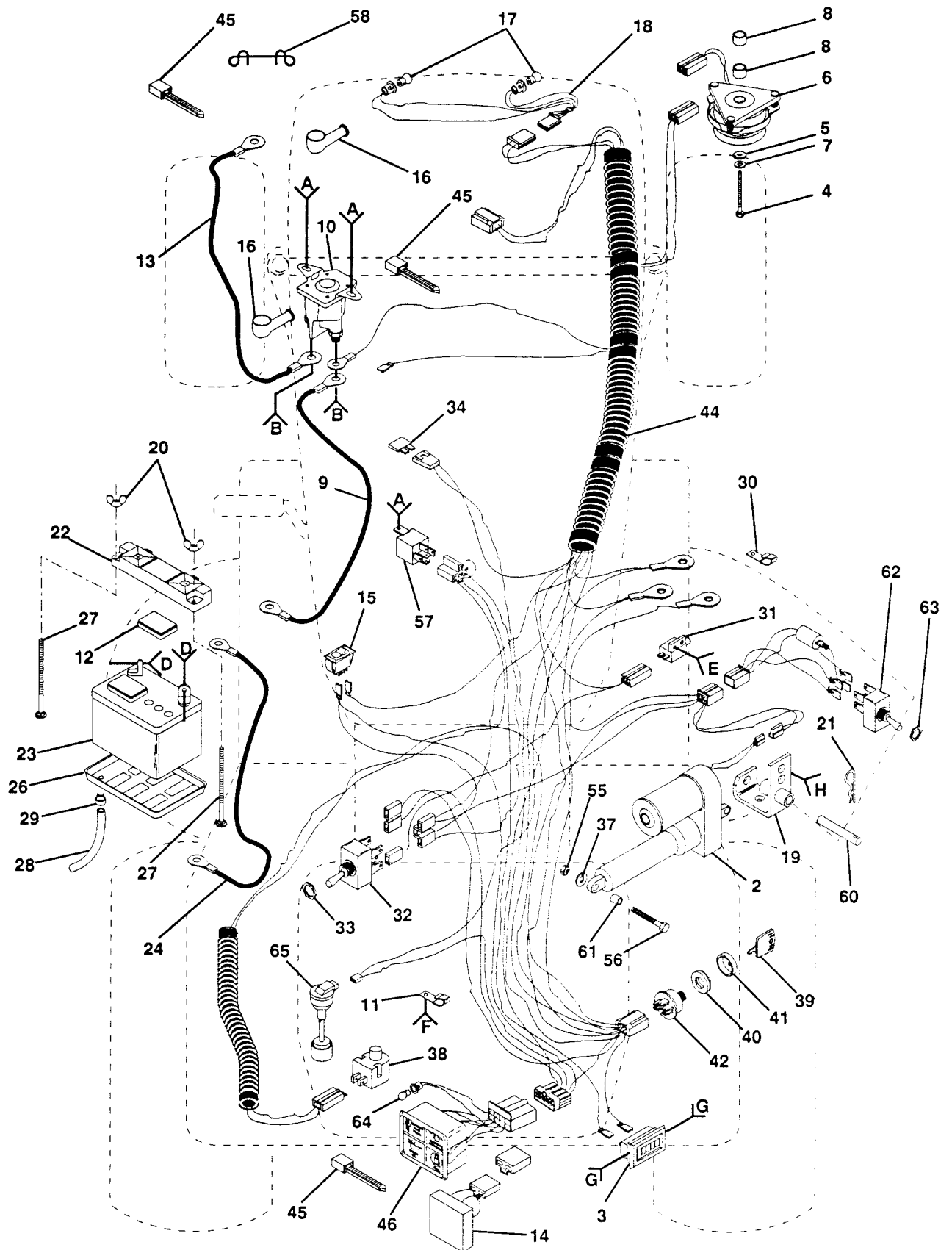
ILLUSTRATED PARTS BREAKDOWN

**18 HP 50" GARDEN TRACTOR
MODEL NO. GT180 (H1850B)
954 00 02-11**

REPAIR PARTS

18 HP 50" GARDEN TRACTOR - - MODEL NUMBER GT180

ELECTRICAL



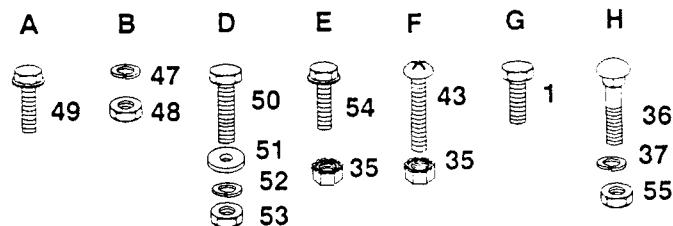
REPAIR PARTS

18 HP 50" GARDEN TRACTOR - - MODEL NUMBER GT180

ELECTRICAL

| KEY PART NO. NO. | DESCRIPTION | KEY PART NO. NO. | DESCRIPTION |
|------------------|-----------------------------------|------------------|---|
| 1 817011008 | Screw #10-24 x 1/2 | 41 532109787 | Bezel, Ignition |
| 2 532124371 | Actuator, Electric | 42 532125104 | Switch, Ignition |
| 3 532110940 | Meter, Hour | 43 874641008 | Screw, Slot, Pan HD #10-32 x 1/2 |
| 4 871130724 | Bolt, Hex 7/16-20 x 1-1/2 Grade 8 | 44 532124047 | Harness, Ignition |
| 5 532126197 | Washer | 45 532124756 | Cable Tie |
| 6 532109550 | Clutch, Electric | 46 532126519 | Light Package |
| 7 810040700 | Washer, Lock 7/16 | 47 810090400 | Washer, Lock 1/4 |
| 8 532106367 | Spacer, Clutch | 48 873350400 | Nut, Hex Jam 1/4-20 |
| 9 532124770 | Cable, Battery | 49 817190408 | Screw, Hex Washer Hd. Cutting 1/4-20 x 1/2 |
| 10 532109081 | Solenoid | 50 874760412 | Bolt, Hex Hd. 1/4-20 x 3/4 |
| 11 532004171 | Clip, Insulated | 51 819091016 | Washer 9/32 x 5/8 x 16 Gauge |
| 12 532121264 | Battery Caps | 52 810040400 | Washer, Lock 1/4 |
| 13 532005115 | Cable, Starter | 53 873220400 | Nut, Hex 1/4-20 |
| 14 532127385 | Sensor, Low Voltage | 54 871031008 | Screw, Hex Washer Hd. #10-32 x 1-1/2 |
| 15 532110712 | Switch, Light | 55 873220600 | Nut, Fin Hex 3/8-16 |
| 16 532124783 | Cover, Terminal | 56 874520636 | Bolt, Fin Hex 3/8-16 x 2-1/4 |
| 17 532124893 | Bulb, Light | 57 532109748 | Assembly, Relay |
| 18 532110859 | Harness, Light Socket | 58 532121465 | Tie, Wire |
| 19 532124867 | Bracket Assembly, Actuator | 60 532007085 | Pin, Actuator |
| 20 532123198 | Nut, Wing 1/4-20 | 61 532005950 | Tube |
| 21 532004940 | Spring, Retainer | 62 532126289 | Switch Assembly, Lift |
| 22 532102476 | Guard, Terminal | 63 532007319 | Washer, Lock |
| 23 532121537 | Battery | 64 532110143 | Bulb, Dashboard, Light |
| 24 532124773 | Cable Ground | 65 532126487 | Sensor, Low Fuel |
| 26 532124886 | Tray, Battery | — 532101539 | Sheet, Instruction, Tractor 15° Slope (English) |
| 27 872240460 | Bolt, Carriage 1/4-20 x 7-1/2 | — 532101572 | Sheet, Instruction, Tractor 15° Slope (French) |
| 28 532100541 | Tube, Plastic | — 532121549 | Decal, Battery, Caution |
| 29 532109596 | Clamp, Hose | — 532127458 | Operator's Manual (English) |
| 30 532100207 | Clip | — 532127459 | Operator's Manual (French) |
| 31 532104445 | Switch, Interlock | — 532123469 | Owner's Manual, Kohler, Engine (English) |
| 32 532126018 | Switch, P.T.O. | — 532123470 | Owner's Manual, Kohler, Engine (French) |
| 33 532124932 | Nut, Hex | | |
| 34 532006347 | Fuse | | |
| 35 873951000 | Nut, Keps #10-32 | | |
| 36 872110608 | Bolt, Carriage 3/8-16 x 1 | | |
| 37 810040600 | Washer, Lock 3/8 | | |
| 38 532121305 | Switch, Seat | | |
| 39 532122147 | Key | | |
| 40 532109788 | Nut, Ignition | | |

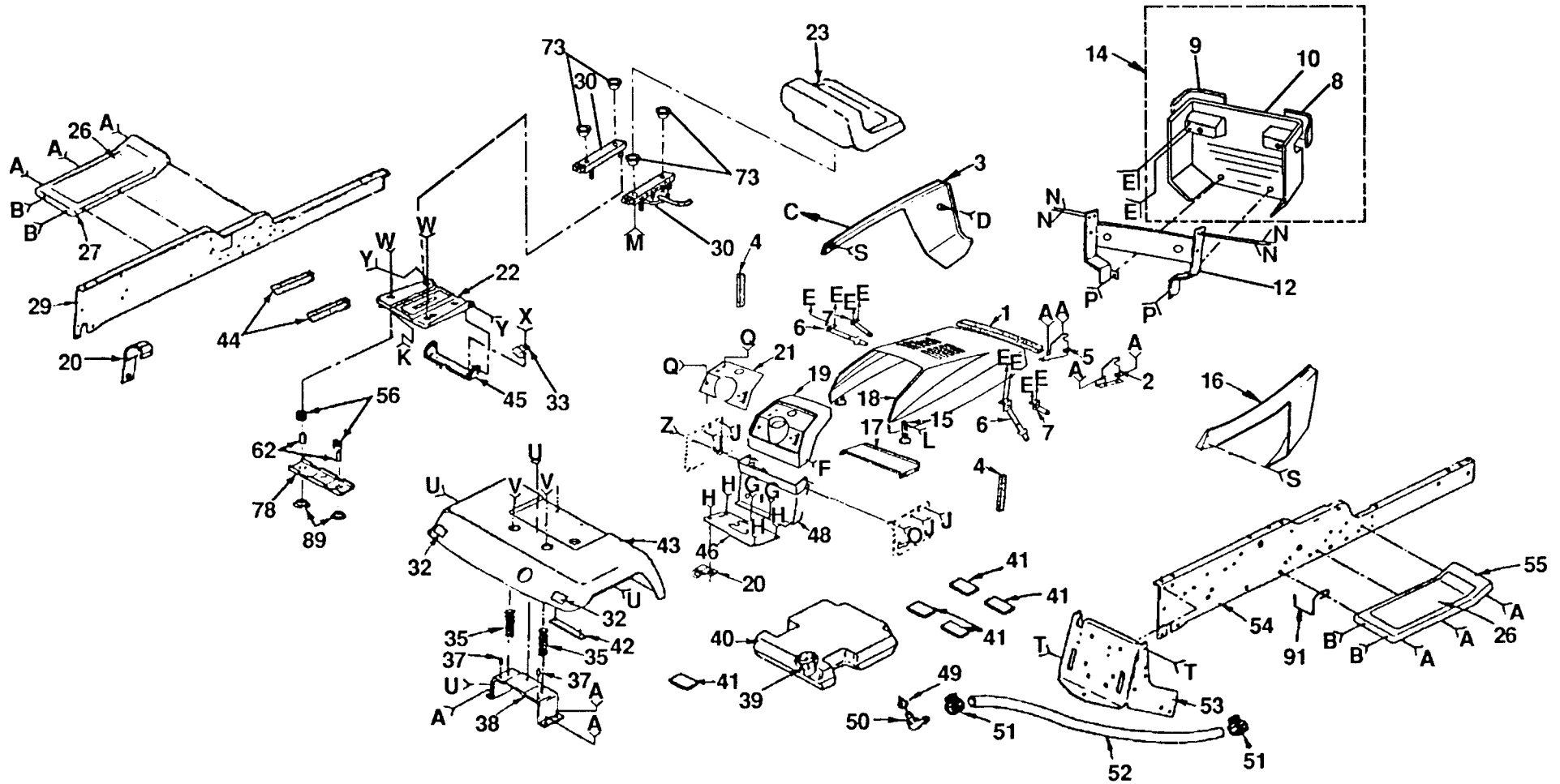
NOTE: All component dimensions given in U.S. inches.
1 inch = 25.4 mm



REPAIR PARTS

18 HP 50" GARDEN TRACTOR -- MODEL NUMBER GT180

FRAME, FENDER AND DRAWBAR



| A | B | C | D | E | F | G | H | J | K | L | M | N | O | P | Q | S | T | U | V | W | X | Y | Z |
|---|---|---|---|---|---|---|---|---|---|---|---|---|---|---|---|---|---|---|---|---|---|---|---|
| | | | | | | | | | | | | | | | | | | | | | | | |

REPAIR PARTS

18 HP 50" GARDEN TRACTOR - - MODEL NUMBER GT180

FRAME, FENDER AND DRAWBAR

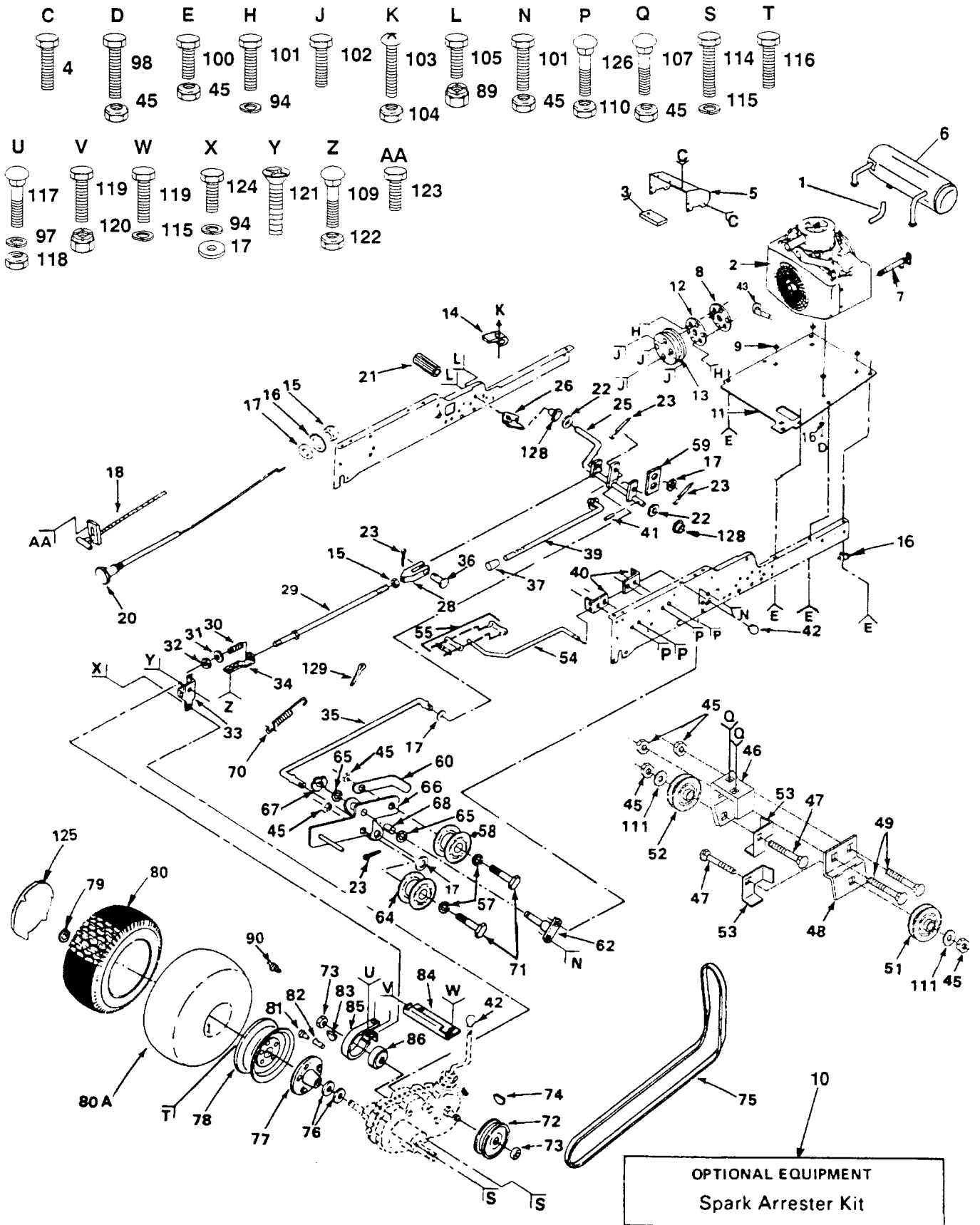
| KEY PART NO. | NO. | DESCRIPTION | KEY PART NO. | NO. | DESCRIPTION | KEY PART NO. | NO. | DESCRIPTION |
|--------------|-----------|--|--------------|-----------|---|--------------|-----------|---|
| 1 | 532109458 | Strip, Foam | 34 | 874180512 | Screw, Mach. Hd. 5/16-18 x 3/4 | 70 | 810071000 | Washer, Lock #10 |
| 2 | 532110853 | Frame, Pivot, Ass'y, Bracket, R.H. | 35 | 532124181 | Spring, Compression | 71 | 532125004 | Nut, Weld |
| 3 | 532125009 | Panel, Side, L.H. | 36 | 819111116 | Washer 11/32 x 11/16 x 16 Gauge | 72 | 817190516 | Screw, Hex 5/16-18 x 1 |
| 4 | 532106088 | Strip, Foam | | | | 73 | 532124427 | Spacer |
| 5 | 532110852 | Frame, Pivot, Ass'y, Bracket, L.H. | 37 | 532105531 | Nut, Push | 74 | 532123481 | Bolt, Shoulder 1/4-20 |
| 6 | 532106784 | Strap Assembly, Hinge, Rear | 38 | 532105509 | Bracket, Fender | 75 | 873680400 | Nut, Crownlock 1/4-20 |
| 7 | 532104618 | Strap Assembly, Hinge, Front | 39 | 532123549 | Cap, Fuel | 76 | 532001260 | Spacer |
| 8 | 532124251 | Lens, R.H. | 40 | 532126261 | Tank, Fuel w/sensor | 77 | 874760440 | Bolt, Fin Hex 1/4-20 x 2-1/2 |
| 9 | 532124250 | Lens, L.H. | 41 | 532106082 | Pad, Spacer | 78 | 532121246 | Bracket, Switch Mount |
| 10 | 532127325 | Grill | 42 | 532105511 | Strap, Fender | 79 | 874981020 | Screw, Mach Cr. Pan #10-24 x 1-1/4 |
| 11 | 811050600 | Washer, Lock Ext. Tooth 3/8 | 43 | 532124927 | Fender | 80 | 532007206 | Spacer, Split #10 x 3/4 |
| 12 | 532124574 | Support, Grill | 44 | 532121251 | Foam, Strip | 81 | 819070818 | Washer 7/32 x 1/2 x 18 Gauge |
| 13 | 811030400 | Washer, Lock 1/4 | 45 | 532126656 | Bracket, Pivot, Seat | | | |
| 14 | 532127320 | Grill, Assembly (Includes Keys 8, 9, and 10) | 46 | 532124837 | Cover, Shift, Gate | 82 | 873731000 | Nut, Keps #10-24 |
| 15 | 532109808 | Latch, Hood | 47 | 873510500 | Nut, Keps 5/16-18 | 83 | 874760716 | Bolt, Hex 7/16-14 x 1 |
| 16 | 532125008 | Panel, Side, R.H. | 48 | 532104608 | Dash Assembly | 84 | 873680700 | Locknut 7/16-14 |
| 17 | 532007985 | Support, Battery | 49 | 532124952 | Bushing | 85 | 817490608 | Screw, Hex Washer Thread Rolling 3/8 x 16 x 1/2 |
| 18 | 532125007 | Hood | 50 | 532124951 | Stem, Tank Fuel | 86 | 532121235 | Spacer |
| 19 | 532124182 | Dashboard | 51 | 532123487 | Clamp, Hose | 87 | 532110356 | Cap, Snap |
| 20 | 532004171 | Clip, Insulated | 52 | 532124703 | Fuel Line | 88 | 532105529 | Bolt, Shoulder |
| 21 | 532124772 | Dashplate | 53 | 532007982 | Drawbar | 89 | 532121248 | Bushing, Snap |
| 22 | 532124294 | Pan, Seat | 54 | 532110892 | Rail, Frame, R.H. | 90 | 532123976 | Nut, Flange Lock 1/4-20 |
| 23 | 532124187 | Seat | 55 | 532124914 | Footrest, R.H. | 91 | 532105500 | Retainer, Belt, Lower |
| 24 | 819111610 | Washer 11/32 x 1 x 10 Gauge | 56 | 532123740 | Spring, Compression | 92 | 819131312 | Washer 13/32 x 13/16 x 17 Gauge |
| 25 | 873490400 | Nut, Wing 1/4-20 | 57 | 817490612 | Screw, Hex Washer Thread Rolling 3/8-16 x 3/4 | 93 | 532110357 | Washer, Snap Cap |
| 26 | 532108256 | Pad, Footrest | 58 | 874760612 | Bolt, Hex 3/8-16 x 3/4 | 94 | 873510400 | Nut, Hex 1/4-20 |
| 27 | 532124899 | Footrest, L.H. | 59 | 873680600 | Locknut 3/8-16 | — | 532108813 | Decal, Caution (Dash) |
| 28 | 819131614 | Washer 13/32 x 1 x 14 Gauge | 60 | 819091216 | Washer 9/32 x 3/4 x 16 Ga. | — | 532124484 | Decal, Fender, Logo (Rear Fender) |
| 29 | 532110893 | Rail, Frame, L.H. | 61 | 873220400 | Nut, Hex 1/4-20 | — | 532120822 | Decal, Caution (Front Fender) |
| 30 | 532124428 | Slide, Seat Set | 62 | 532121249 | Spacer, Split | — | 532101892 | Decal, Clutch, Brake |
| 31 | 872170410 | Bolt, Carriage 1/4-20 x 1-1/4 | 63 | 874760616 | Bolt, Hex 3/8-16 x 1 | — | 532106868 | Decal, Belt, Instruction (Under footrest) |
| 32 | 532106202 | Reflector, Taillight | 64 | 819131316 | Washer 13/32 x 13/16 x 16 Gauge | — | 532124480 | Decal, Hood, L.H. |
| 33 | 532124996 | Clip, Insulated | 65 | 874180512 | Screw, Mach. Cr. Thrd. 5/16-18 x 3/4 | — | 532124481 | Decal, Hood, R.H. |
| | | | 66 | 873680500 | Nut, Crownlock 5/16-18 | — | 532124483 | Decal, Grill, Logo |
| | | | 67 | 817240408 | Screw, Hex Washer Thrd. Cutting 1/4-20 x 1/2 | — | 532124488 | Decal, Side Panels |
| | | | 68 | 872140506 | Bolt, Carriage 5/16-18 x 3/4 | | | |
| | | | 69 | 874191008 | Screw, Cr. Pan. Mach. #10-24 x 1/2 | | | |

NOTE: All component dimensions given in U.S. inches. 1 inch = 25.4 mm

REPAIR PARTS

18 HP 50" GARDEN TRACTOR -- MODEL NUMBER GT180

GROUND DRIVE



REPAIR PARTS

18 HP 50" GARDEN TRACTOR - - MODEL NUMBER GT180

GROUND DRIVE

| KEY PART NO. NO. | DESCRIPTION | KEY PART NO. NO. | DESCRIPTION | | |
|---------------------|-------------|--|-------------|-----------|---|
| 1 | 532126086 | Exhaust Tube Outlet | 67 | 812000039 | Klip, Ring |
| 2 | 532124276 | Engine-18HP Kohler M18QS Type 24644 | 68 | 532105706 | Bearing, Idler |
| 3 | 532126350 | Duct, Lower Assembly | 70 | 532121357 | Spring, Extension |
| 4 | 817720408 | Screw, Hex Thd. Cut 1/4-20 x 1/2 | 71 | 874760628 | Bolt, Hex 3/8-16 x 1-3/4 |
| 5 | 532124508 | Duct, Exhaust, Upper | 72 | 532120332 | Pulley, Transaxle |
| 6 | 532124532 | Muffler, Exhaust | 73 | 532009204 | Locknut 1/2-20 |
| 7 | 532009767 | Oil Drain Valve | 74 | 532124708 | Key, Woodruff 3/16 x 5/8 |
| 8 | 532110947 | Chaff Guard | 75 | 532110883 | V-Belt |
| 9 | 532110869 | Spacer | 76 | 532007563 | Washer, Thrust, Axle |
| 10 | 532120689 | Spark Arrester Kit | 77 | 532124683 | Bushing Assembly and Wheel Hub |
| 11 | 532110867 | Base, Engine | 78 | 532124866 | Rim Ass'y. Rear |
| 12 | 532104577 | Adapter | 79 | 812000034 | Klip, Ring |
| 13 | 532121355 | Pulley, Ground Drive | 80 | 532105588 | Tire, Rear |
| 14 | 532005304 | Actuator, Switch, Interlock | 80A | 532007154 | Tube, Rear |
| 15 | 873610600 | Nut, Hex 3/8-24 | 81 | 532059192 | Cap, Valve |
| 16 | 811050600 | Washer, Lock Ext. Tooth 3/8 | 82 | 532065139 | Stem, Valve |
| 17 | 819131316 | Washer 13/32 x 13/16 x 16 Gauge | 83 | 532125096 | Key, Woodruff #9 (3/16 x 3/4) |
| 18 | 532121467 | Control, Throttle | 84 | 532120404 | Bracket, Support, Transaxle |
| 20 | 532121470 | Control, Choke | 85 | 532101122 | Band, Brake |
| 21 | 532124872 | Cover, Pedal | 86 | 532000214 | Drum, Brake |
| 22 | 532121749 | Washer 25/32 x 1-1/4 x 16 Gauge | 89 | 873680400 | Nut, Crownlock 1/4-20 |
| 23 | 876020312 | Pin, Cotter 3/32 x 3/4 | 90 | 532124860 | Fitting, Grease |
| 25 | 532104375 | Shaft, Foot Pedal | 94 | 810040600 | Washer, Lock 3/8 |
| 26 | 532104601 | Bracket, Interlock | 97 | 810040400 | Washer, Lock 1/4 |
| 28 | 532100604 | Yoke | 98 | 874780620 | Bolt, Hex 3/8-16 x 1-1/4 Grade 5 |
| 29 | 532005308 | Rod, Brake | 100 | 874760612 | Bolt, Hex 3/8-16 x 3/4 |
| 30 | 532007241 | Spring, Compression | 101 | 874780616 | Bolt, Hex Head 3/8-16 x 1 Grade 5 |
| 31 | 819131614 | Washer 13/32 x 1 x 14 Gauge | 102 | 817190516 | Screw, Hex 5/16-18 x 1 |
| 32 | 873530600 | Locknut 3/8-24 | 103 | 874321016 | Screw, Fin #10-24 x 1 |
| 33 | 532124692 | Bracket, Brake | 104 | 873631000 | Locknut #10-24 |
| 34 | 532124695 | Guide, Rod, Brake | 105 | 874760412 | Bolt, Hex Head 1/4-20 x 3/4 |
| 35 | 532101356 | Rod, Clutch | 107 | 872110606 | Bolt, Carriage 3/8-16 x 3/4 Grade 5 |
| 36 | 532005102 | Pin, Clevis | 109 | 872110506 | Bolt, Carriage 5/16-18 x 3/4 |
| 37 | 532071673 | Cap, Plunger | 110 | 873680500 | Locknut 5/16-18 |
| 39 | 532109767 | Rod, Parking Brake | 111 | 819131612 | Washer 13/32 x 1 x 12 Gauge |
| 40 | 532105598 | Bracket, Rod, Shift | 114 | 874760720 | Bolt, Hex 7/16-14 x 1-1/4 |
| 41 | 532005142 | Pin, Roll 3/16 x 1-1/4 | 115 | 810040700 | Washer, Lock 7/16 |
| 42 | 532121466 | Knob | 116 | 532001304 | Bolt, Hub |
| 43 | 532004171 | Clip, Insulated | 117 | 872140405 | Bolt, Carriage 1/4-20 x 5/8 |
| 45 | 873680600 | Locknut 3/8-16 | 118 | 873220400 | Nut, Hex 1/4-20 |
| 46 | 532121063 | Bracket, V-Pulley, Drive, Mule | 119 | 874760716 | Bolt, Hex 7/16-14 x 1 |
| 47 | 872110614 | Bolt, Carriage 3/8-16 x 1-3/4 | 120 | 873680700 | Nut, Crownlock 7/16-14 |
| 48 | 532122825 | Bracket, Idler, Flat | 121 | 874370612 | Screw, Mach. Undrcut. Flat Head 3/8-16 x 3/4 |
| 49 | 872140606 | Bolt, Carriage 3/8-16 x 3/4 | 122 | 532124949 | Locknut 5/16-18 |
| 51 | 532102403 | Idler, Flat | 123 | 817720410 | Screw, Hex 1/4-20 x 1/2 |
| 52 | 532101344 | Pulley, Idler | 124 | 874760614 | Bolt, Hex 3/8-16 x 7/8 |
| 53 | 532122824 | Keeper, Belt | 125 | 532124579 | Cover, Wheel |
| 54 | 532122253 | Rod, Shift, Hi-Lo | 126 | 872140506 | Bolt, Carriage 5/16-18 x 3/4 |
| 55 | 532122268 | Connecting Link, Spring Clip | 128 | 532110895 | Nyliner |
| 57 | 819131413 | Washer 13/32 x 7/8 x 13 Gauge | 129 | 876020816 | Pin, Cotter 1/4 x 1 |
| 58 | 532104360 | Idler, Flat | | | |
| 59 | 532121358 | Retainer, Spring | | | |
| 60 | 532121360 | Retainer, Belt | | | |
| 62 | 532101358 | Bracket Assembly, Clutch | | | |
| 64 | 532121361 | Idler, Grooved | | | |
| 65 | 532000207 | Washer, Hardened | | | |
| 66 | 532121356 | Bracket, Clutch W/Bearing (Incl.Key No. 68) | | | |

NOTE: All component dimensions given in U.S. inches.
1 inch = 25.4 mm

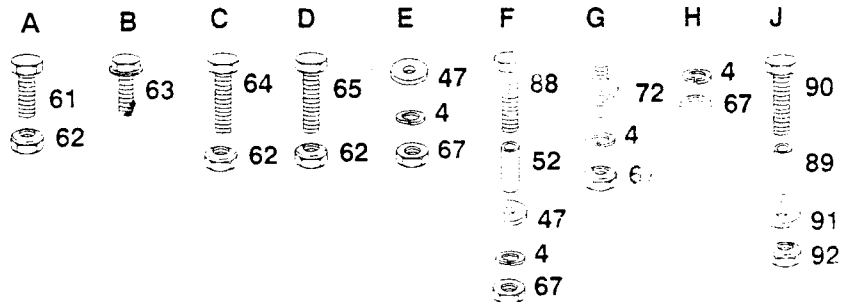
REPAIR PARTS

18 HP 50" GARDEN TRACTOR - - MODEL NUMBER GT180

STEERING

| KEY NO. | PART NO. | DESCRIPTION | KEY NO. | PART NO. | DESCRIPTION |
|---------|-----------|----------------------------------|---------|-----------|--------------------------------------|
| 2 | 532124416 | Insert, Steering Wheel | 46 | 532005292 | Bushing, Bellcrank |
| 3 | 874780616 | Bolt, Hex 3/8-16 x 1 Grade 5 | 47 | 819131413 | Washer 13/32 x 7/8 x 13 Gauge |
| 4 | 810040600 | Washer, Lock 3/8 | 48 | 532005284 | Bracket, Axle |
| 5 | 819133808 | Washer 13/32 x 2-3/8 x 8 Gauge | 49 | 819292016 | Washer 29/32 x 1-1/4 x 16 Gauge |
| 6 | 532124415 | Wheel, Steering | 52 | 532102933 | Spacer, Split |
| 7 | 532100711 | Adapter, Steering | 56 | 532121161 | Joint, Tie Rod, L.H., Thread |
| 10 | 532009038 | Bearing | 57 | 873700600 | Nut, Hex, Jam 3/8-24 L.H. |
| 11 | 532101274 | Support Assembly, Steering | 58 | 532121162 | Rod, Tie |
| 12 | 873680800 | Locknut 1/2-13 | 59 | 873360600 | Nut, Hex, Jam 3/8-24 |
| 13 | 819172610 | Washer 17/32 x 1-5/8 x 10 Gauge | 60 | 532121160 | Joint, Tie Rod, R.H., Thread |
| 14 | 532104239 | Bearing, Flanged | 61 | 874760612 | Bolt, Hex 3/8-16 x 3/4 |
| 15 | 812000034 | Klip Ring | 62 | 873680600 | Locknut 3/8-16 |
| 16 | 532124931 | Bearing, Thrust | 63 | 817490612 | Screw, Hex Wsh. Thdrol. 3/8-16 x 3/4 |
| 17 | 532005213 | Bracket, Frame, Front | 64 | 874780616 | Bolt, Hex 3/8-16 x 1 Grade 5 |
| 18 | 532102439 | Bracket, Support, Steering | 65 | 874760616 | Bolt, Hex 3/8-16 x 1 |
| 19 | 873610600 | Nut, Hex 3/8-24 | 67 | 873220600 | Nut, Hex 3/8-16 |
| 20 | 532120424 | Sector Assembly | 72 | 532106615 | Pin Mounting, Idler, Bracket |
| 21 | 874780880 | Bolt, Hex 1/2-13 x 5 Grade 5 | 73 | 532121749 | Washer 25/32 x 1-1/4 x 16 Gauge |
| 22 | 532104591 | Shaft, Steering | 76 | 532121177 | Collar Weld Assembly |
| 23 | 532110497 | Link, Drag | 79 | 532120199 | Tube |
| 24 | 532121168 | Spindle, L.H. | 80 | 532121232 | Dust Cap Cover |
| 26 | 532121159 | Rod, Tie (Inc. Key #56-60) | 82 | 874760632 | Bolt, Hex 3/8-16 x 2 |
| 27 | 532009040 | Bearing | 83 | 532120542 | Bracket, Idler |
| 28 | 532124864 | Rim Assembly, Front | 85 | 532124858 | Pulley, Idler |
| 29 | 532106230 | Tire | 86 | 532007190 | Spring |
| 29A | 532008134 | Tube | 87 | 819133808 | Washer 13/32 x 2-3/8 x 8 Gauge |
| 30 | 812000029 | Klip Ring | 88 | 874760636 | Bolt, Hex 3/8-16 x 2-1/4 |
| 31 | 532124578 | Cover, Wheel | 89 | 532100644 | Bushing, Handle |
| 32 | 532121748 | Washer 25/32 x 1-5/8 x 16 Gauge | 90 | 874930516 | Bolt, Hex 5/16-18 x 1 |
| 33 | 532059192 | Cap, Valve | 91 | 819111416 | Washer 11/32 x 7/8 x 16 Gauge |
| 34 | 532065139 | Stem, Valve | 92 | 873680500 | Locknut 5/16-18 |
| 35 | 532000278 | Fitting, Grease | — | 532123246 | Decal, Adjustment |
| 36 | 532121167 | Spindle, R.H. | | | |
| 38 | 532108137 | Bellcrank Assembly | | | |
| 39 | 874781044 | Bolt, Hex 5/8-11 x 2-3/4 Grade 5 | | | |
| 41 | 532124836 | Fitting, Grease | | | |
| 42 | 873221000 | Nut, Hex 5/8-11 | | | |
| 43 | 810041000 | Washer, Lock 5/8 | | | |
| 44 | 532005298 | Tube, Pivot, Axle | | | |
| 45 | 532124868 | Axle Assembly, Front | | | |

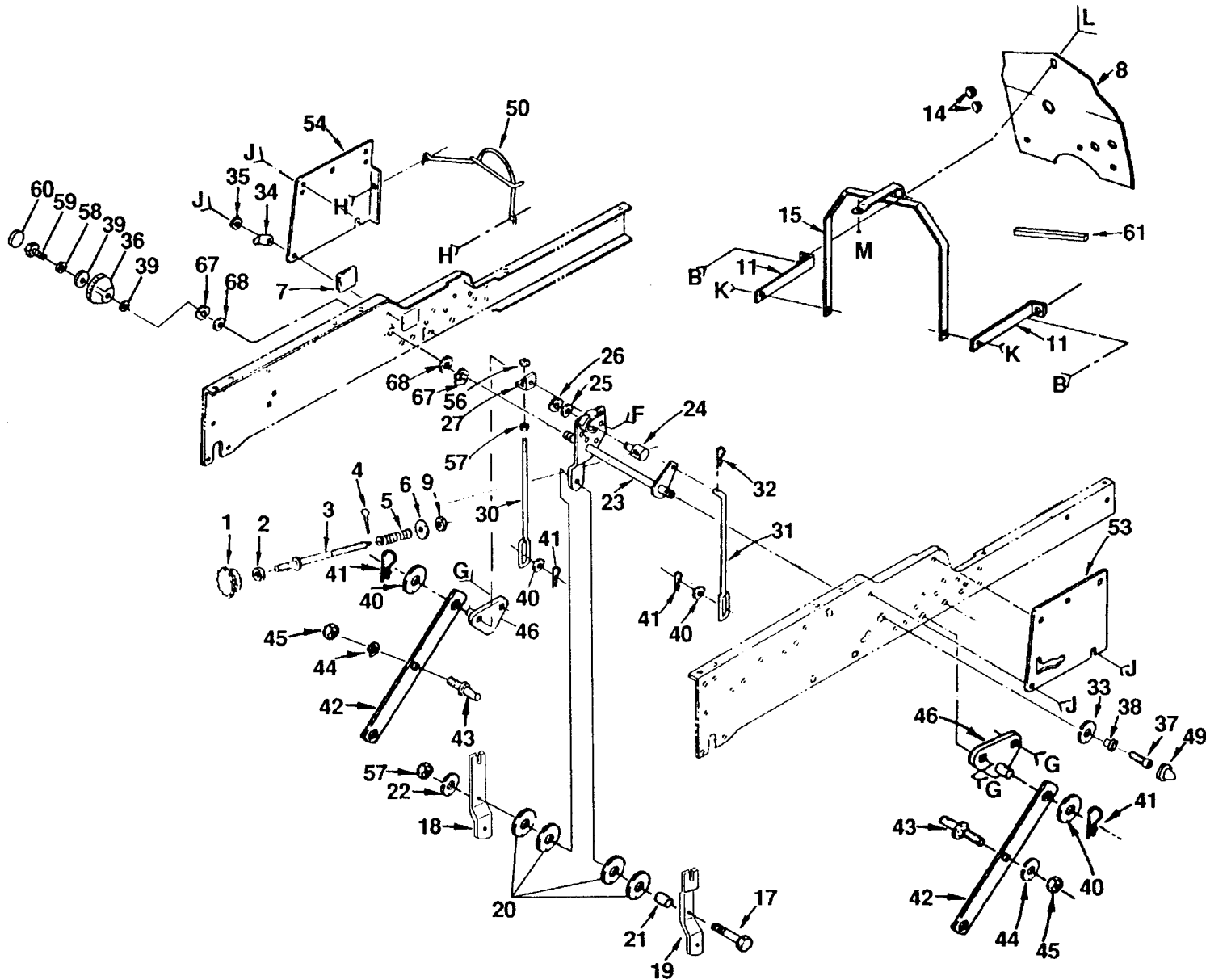
NOTE: All component dimensions given in U.S. inches.
1 inch = 25.4 mm



REPAIR PARTS

18 HP 50" GARDEN TRACTOR - - MODEL NUMBER GT180

MOWER LIFT



REPAIR PARTS

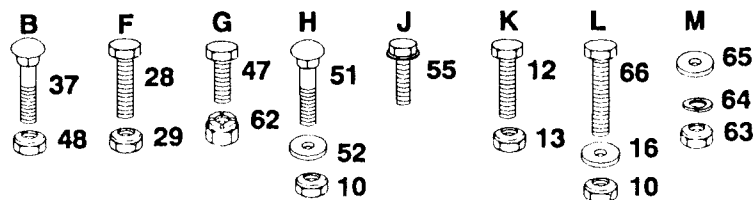
18 HP 50" GARDEN TRACTOR - - MODEL NUMBER GT180

MOWER LIFT

| KEY PART NO. | NO. | DESCRIPTION |
|--------------|-----------|---------------------------------|
| 1 | 532121891 | Handle, Adjust, Lift |
| 2 | 873350600 | Nut, Hex, Jam 3/8-16 |
| 3 | 532110811 | Rod, Adjust, Lift |
| 4 | 876020308 | Pin, Cotter 3/32 x 3/4 |
| 5 | 532124874 | Spring |
| 6 | 819131016 | Washer 13/32 x 5/8 x 16 Gauge |
| 7 | 532121794 | Cover, Access |
| 8 | 532122085 | Shield, Head, Read |
| 9 | 532110807 | Nut, Special |
| 10 | 873680500 | Locknut 5/16-18 |
| 11 | 532110903 | Brace, Head Shield |
| 12 | 874780408 | Bolt, Hex 1/4-20 x 1/2 |
| 13 | 873680400 | Locknut 1/4-20 |
| 14 | 532110436 | Grommet |
| 15 | 532106872 | Support Assembly, Dash |
| 16 | 819111216 | Washer 11/32 x 3/4 x 16 Gauge |
| 17 | 874520628 | Bolt 3/8-16 x 1-3/4 |
| 18 | 532005948 | Bracket, Lift, L.H. |
| 19 | 532005947 | Bracket, Lift, R.H. |
| 20 | 819172410 | Washer 17/32 x 1-1/2 x 10 Gauge |
| 21 | 532005949 | Tube |
| 22 | 810040600 | Washer, Lock 3/8 |
| 23 | 532124217 | Shaft, Lift |
| 24 | 532110810 | Trunnion, Stop Depth |
| 25 | 819151216 | Washer 15/32 x 3/4 x 16 Gauge |
| 26 | 812000037 | Klip Ring |
| 27 | 532007594 | Bracket, Lift L.H. |
| 28 | 532007901 | Bolt, Shoulder |
| 29 | 873900400 | Nut, Hex Flange 1/4-20 |
| 30 | 532007596 | Link, Lift, L.H. |
| 31 | 532105503 | Link, Lift, R.H. |
| 32 | 532124670 | Retainer, Spring |
| 33 | 810040600 | Washer, Lock Hvy. Hel. Spring |
| 34 | 532124763 | Pointer, Height Indicator |
| 35 | 532120529 | Washer, Nylon |
| 36 | 532123934 | Scale, Height Indicator |
| 37 | 874760616 | Bolt, Hex 3/8-16 x 1 |

| KEY PART NO. | NO. | DESCRIPTION |
|--------------|-----------|-------------------------------------|
| 38 | 532105624 | Hub, Lift Shaft |
| 39 | 819112410 | Washer 11/32 x 1-1/2 x 10 Gauge |
| 40 | 819171616 | Washer 17/32 x 1 x 16 Gauge |
| 41 | 532009135 | Retainer, Spring |
| 42 | 532105429 | Arm, Suspension |
| 43 | 532105413 | Stud, Pivot, Center |
| 44 | 810040800 | Washer, Lock 1/2 |
| 45 | 873220800 | Nut, Hex 1/2-13 |
| 46 | 532105501 | Bracket, Suspension, Mower |
| 47 | 872140606 | Bolt, Carriage 3/8-16 x 3/4 |
| 48 | 873680600 | Locknut 3/8-16 |
| 49 | 532109412 | Cap, Spring |
| 50 | 532126651 | Guard, Belt, Engine |
| 51 | 872140508 | Bolt, Carriage 5/16-18 x 1 |
| 52 | 819111610 | Washer 11/32 x 1 x 10 Gauge |
| 53 | 532121043 | Panel, Side, R.H. |
| 54 | 532121044 | Panel, Side, L.H. |
| 55 | 817490608 | Screw, Hex Wsh. Thdrol 3/8-16 x 1/2 |
| 56 | 873800600 | Locknut 3/8-16 |
| 57 | 873220600 | Nut, Hex 3/8-16 |
| 58 | 810040500 | Washer, Lock Hvy. Helical Spring |
| 59 | 874780516 | Bolt, Hex Fin 5/16-18 x 1 |
| 60 | 532123935 | Plug, Hole |
| 61 | 532109458 | Strip, Foam |
| 62 | 873930600 | Nut, Centerlock 3/8-16 |
| 63 | 873220400 | Nut, Hex 1/4-20 |
| 64 | 810090400 | Washer, Lock 1/4 |
| 65 | 819091216 | Washer 9/32 x 3/4 x 16 Gauge |
| 66 | 874760512 | Bolt, Hex 5/16-18 x 3/4 |
| 67 | 812000022 | E-Ring |
| 68 | 819292016 | Washer 29/32 x 1-1/4 x 16 Gauge |

NOTE: All component dimensions given in U.S. inches.
1 inch = 25.4 mm



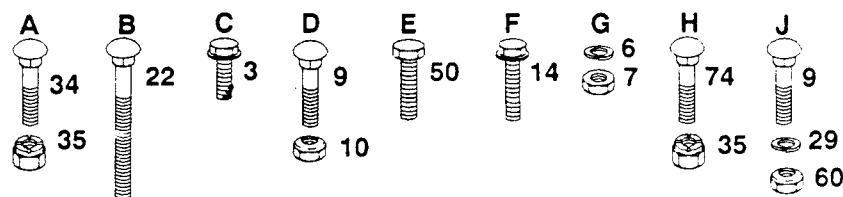
REPAIR PARTS

18 HP 50" GARDEN TRACTOR -- MODEL NUMBER GT180

MOWER

| KEY PART NO. | NO. | DESCRIPTION | KEY PART NO. | NO. | DESCRIPTION |
|--------------|-----------|---|--------------|-----------|--|
| 1 | 532121664 | Housing, Mower | 46 | 873350500 | Nut, Hex 5/16-18 |
| 2 | 532121811 | Cover, Drive, Deck | 47 | 532124660 | Clip, Hairpin |
| 3 | 817490508 | Screw, Hex Washer Thr. Roll 5/16-18 x 1/2 | 48 | 532003703 | V-Belt |
| 4 | 532125074 | Runner, L.H. | 49 | 873680800 | Nut, Crownlock 1/2-13 |
| 5 | 872110505 | Bolt, Carriage 5/16-18 x 5/8 | 50 | 874760622 | Bolt, Hex 3/8-16 x 1-3/8 |
| 6 | 810040500 | Washer, Lock 5/16 | 51 | 532105435 | Pin, Release |
| 7 | 873220500 | Nut, Hex 5/16-18 | 52 | 532003720 | Spring |
| 8 | 532120449 | Runner | 53 | 812000039 | Ring, Klip |
| 9 | 872140506 | Bolt, Carr. 5/16-18 x 3/4 | 54 | 819171612 | Washer 17/32 x 1 x 12 Gauge |
| 10 | 532124949 | Locknut 5/16-18 | 55 | 532105440 | Pin, Clevis |
| 11 | 819111116 | Washer 11/32 x 11/16 x 16 Gauge | 56 | 532105458 | Bracket, Outer, R.H. |
| 12 | 532121658 | Mandrel, Secondary | 57 | 532109773 | Bracket, Inner, R.H. |
| 13 | 532121657 | Mandrel, Primary | 58 | 532110997 | Bracket, Inner, L.H. |
| 14 | 817490612 | Screw, Hex Washer Thrd. Roll 3/8-16 x 3/4 | 59 | 532120000 | Bracket, Outer, L.H. |
| 15 | 532121798 | Blade | 60 | 873680500 | Locknut 5/16-18 |
| 16 | 874610624 | Bolt, Hex 3/8-24 x 1-1/2 Grade 5 | 61 | 532109776 | Pin, Pivot |
| 17 | 810040600 | Washer, Lock 3/8 | 62 | 819111016 | Washer 11/32 x 5/8 x 16 Gauge |
| 18 | 819132012 | Washer 13/32 x 1-1/4 x 12 Gauge | 63 | 532110509 | Shield, Deflector |
| 19 | 532124685 | Arm Assembly, Idler | 64 | 532106734 | Spring, Deflector |
| 20 | 532124702 | Liner, Bearing | 65 | 532109743 | Bracket, Deflector |
| 21 | 532007835 | Bearing | 66 | 532106735 | Rod, Hinge |
| 22 | 872110522 | Bolt, Carriage 5/16 - 18 x 2-3/4 | 68 | 532110452 | Nut, Push |
| 23 | 819111816 | Washer 11/32 x 1-1/8 x 16 Gauge | 71 | 873220600 | Nut, Hex 3/8 x 16 |
| 24 | 532102403 | Pulley, Idler | 72 | 819131614 | Washer 13/32 x 1 x 14 Gauge |
| 25 | 874760624 | Bolt, Hex 3/8-16 x 1-1/2 | 73 | 819171512 | Washer 17/32 x 15/16 x 12 Gauge |
| 26 | 873220600 | Nut, Hex 3/8-16 | 74 | 872240608 | Bolt, Carriage 3/8-16 x 1 |
| 27 | 532104361 | Spring | 76 | 532110884 | V-Belt |
| 28 | 874780520 | Bolt, Hex 5/16-18 x 1-1/4 Grade 5 | 77 | 819151610 | Washer 15/32 x 1 x 10 Gauge |
| 29 | 819111216 | Washer 11/32 x 3/4 x 16 Gauge | 79 | 810030600 | Washer, Lock 3/8 |
| 30 | 532008438 | Spacer, Split | 80 | 532109729 | Roller, Nose |
| 32 | 532105448 | Bracket, Ga. Wheel, R.H. | 83 | 876020412 | Pin, Cotter |
| 33 | 532105449 | Bracket, Ga. Wheel, L.H. | 84 | 819151616 | Washer 15/32 x 1 x 16 Gauge |
| 34 | 872240606 | Bolt, Carriage 3/8-16 x 3/4 | 85 | 532120135 | Spacer |
| 35 | 873680600 | Nut, Crownlock 3/8-16 | 93 | 532121352 | Keeper, Belt L.H. |
| 36 | 532105453 | Bar, Ga. Wheel | — | 532127594 | Mower Deck, Complete |
| 37 | 532005565 | Pin, Clevis | — | 532123247 | Decal, Belt Instruction |
| 38 | 532124670 | Retainer, Spring | — | 532121349 | Decal, Danger (Cut Finger) |
| 39 | 532124842 | Bolt, Shoulder | — | 532003713 | Decal, Caution (Rotating Blades) |
| 40 | 532105455 | Wheel, Gauge | — | 532105185 | Decal, Caution, French (Rotating Blades) |
| 41 | 532105433 | Bracket, Suspension | | | |
| 42 | 532110237 | Spacer | | | |
| 43 | 532105434 | Brace, Suspension | | | |
| 44 | 532109778 | Plate Assembly, Mower Suspension | | | |
| 45 | 532109771 | Bracket, Suspension | | | |

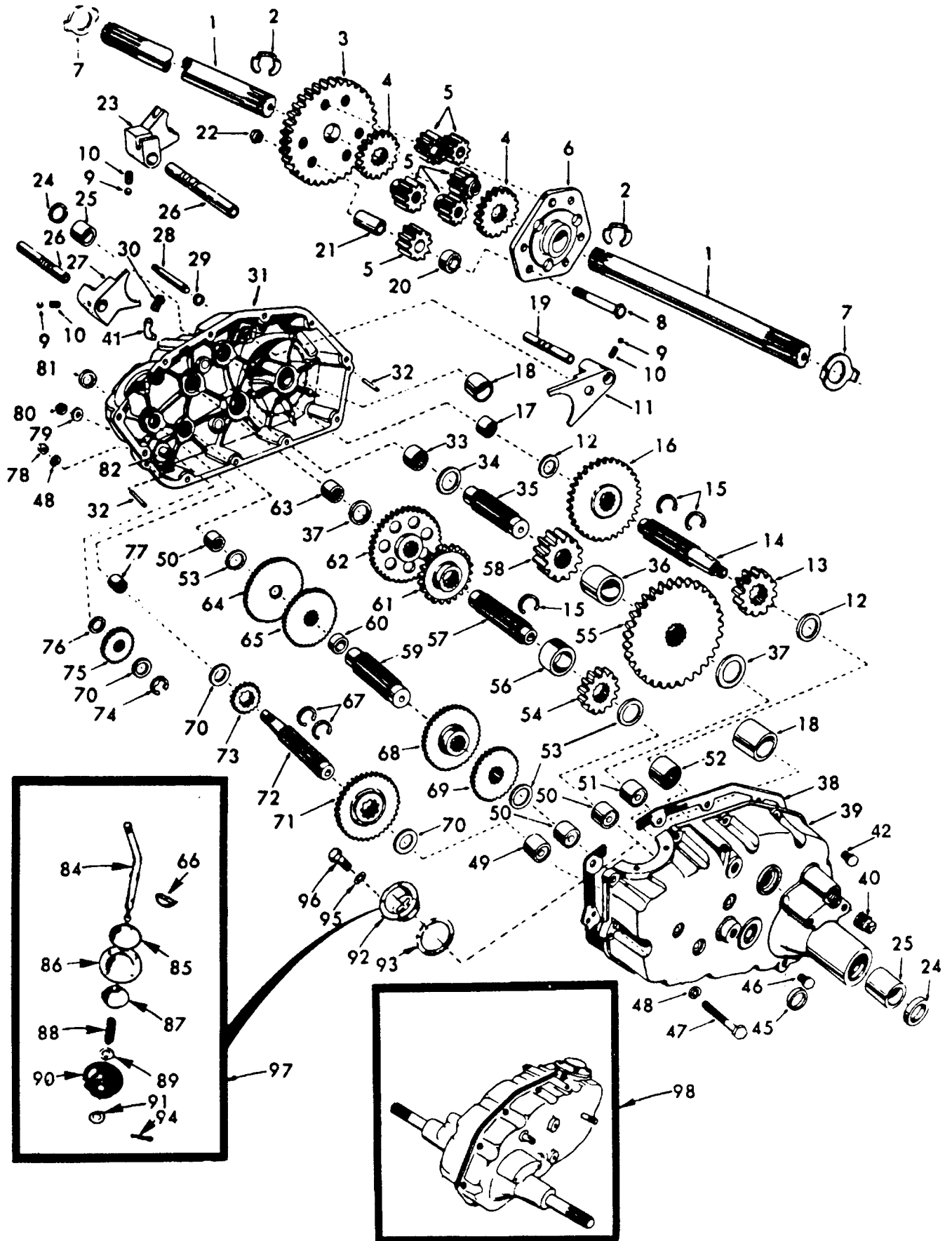
NOTE: All component dimensions given in U.S. inches.
1 inch = 25.4 mm



REPAIR PARTS

18 HP 50" GARDEN TRACTOR - - MODEL NUMBER GT180

TRANSAXLE



REPAIR PARTS

18 HP 50" GARDEN TRACTOR - - MODEL NUMBER GT180

TRANSAXLE

| KEY PART NO. NO. | DESCRIPTION | KEY PART NO. NO. | DESCRIPTION | | |
|------------------|-------------|---|-------------|-----------|---|
| 1 | 532124662 | Axle Shaft | 51 | 532001529 | Needle Bearing |
| 2 | 812000934 | Retaining, Ring | 52 | 532008119 | Needle Bearing |
| 3 | 532004199 | Final Drive Gear | 53 | 532004220 | Thrust Bearing Race |
| 4 | 532004216 | Differential Gear | 54 | 532004209 | 3rd Reduction Pinion-Low |
| 5 | 532004215 | Differential Gear | 55 | 532124668 | 4th Reduction Gear |
| 6 | 532004217 | Differential Carrier | 56 | 532004442 | 3rd Reduction Pinion Spacer |
| 7 | 532124674 | Axle Thrust Washer | 57 | 532004195 | 2nd Reduction Gear Shaft |
| 8 | 874020652 | Hex, Bolt 3/8-24 x 3-1/4 (1" Thread Length) | 58 | 532004214 | Final Drive Pinion |
| 9 | 532124697 | Steel Ball | 59 | 532004194 | 1st Reduction Gear Shaft |
| 10 | 532124676 | Spring Shift Fort Detent | 60 | 532007528 | 1st Reduction Shaft Spacer |
| 11 | 532004985 | Shift Fork, High-Low Range | 61 | 532124666 | 3rd Reduction Pinion High |
| 12 | 532124931 | Thrust Bearing Race | 62 | 532124665 | 2nd Reduction Gear |
| 13 | 532124667 | 4th Reduction Pinion | 63 | 532007398 | Needle Bearing |
| 14 | 532124661 | 3rd Reductin Gear Shaft | 64 | 532124664 | Low Speed Gear and 2nd Reduction Pinion Cluster |
| 15 | 532124677 | Snap Ring-Crescent Type | 65 | 532004204 | Reverse Gear |
| 16 | 532124679 | High-Low Range Gears | 66 | 532002898 | Key-Hi-Pro 1/8 x 17/32 |
| 17 | 532008118 | Needle Bearing | 67 | 532004926 | Snap Ring Crescent Type |
| 18 | 532124705 | Sintered Iron Bearing | 68 | 532004205 | Intermediate Speed Gear |
| 19 | 532122238 | Shift Fork Shaft, High-Low Range | 69 | 532125099 | High Speed Gear |
| 20 | 532004218 | Differential Pinion Spacer | 70 | 532001370 | Thrust Bearing Race |
| 21 | 532124673 | Differential Pinion Bushing | 71 | 532124681 | Intermediate and High Speed Cluster Pinions |
| 22 | 532124701 | Gripco Centerlock Nut 3/8-24 | 72 | 532000208 | Input Shaft |
| 23 | 532004986 | Shift Fork, L.H. | 73 | 532004201 | Low Speed Pinion |
| 24 | 532124698 | Oil Seal | 74 | 812000002 | E-Ring |
| 25 | 532124709 | Sintered Iron Bearing | 75 | 532001153 | Reverse Idler Gear |
| 26 | 532124672 | Shift Fork Shaft | 76 | 532124862 | Reverse Idler Thrust Washer |
| 27 | 532006262 | Shift Fork, R.H. | 77 | 532003990 | Needle Bearing |
| 28 | 532122254 | Shift Shaft, High-Low Range | 78 | 873220500 | Hex, Nut 5/16-18 |
| 29 | 532006269 | Oil Seal | 79 | 532001167 | Sealing Washer |
| 30 | 532005855 | Pressure Relief Valve | 80 | 873360700 | Hex, Jam Nut 7/16-20 |
| 31 | 532122162 | Gearcase, Reverse Idler Shaft and Bearings, R.H. (Inc. Key Nos. 17, 18, 25, 33, 50, 63, 76, 77, and 82) | 81 | 532124675 | Oil Seal |
| 32 | 532006277 | Dowel Pin | 82 | 532124696 | Reverse Idler Shaft |
| 33 | 532004225 | Needle Bearing | 84 | 532005384 | Gear Shift Lever Bent |
| 34 | 532007396 | Thrust Bearing Race | 85 | 532002978 | Gear Shift Cap |
| 35 | 532004198 | 4th Reduction Gear Shaft | 86 | 532124682 | Gear Shift Ball Cover and Pin |
| 36 | 532124663 | 4th Reduction Gear Spacer | 87 | 532124704 | Shift Lever Guide Ball Keyed |
| 37 | 532007395 | Thrust Bearing Race | 88 | 532004924 | Spring |
| 38 | 532121878 | Gearcase Gasket | 89 | 819151516 | Washer 15/32 x 15/16 x 16 Ga. |
| 39 | 532122163 | Gearcase and Bearings, L.H. (Inc. Key Nos. 18, 25, 49, 50 (2), 51 and 52) | 90 | 532110542 | Shift Mechanism Seal |
| 40 | 813320400 | Pipe Plug 1/2-14 N.P.T. | 91 | 819181511 | Washer 9/16 x 15/16 x 12 Ga. |
| 41 | 813170100 | Elbow, Street 90 | 92 | 532000075 | Gear Shift Gate and Reinforcement |
| 42 | 874780526 | Bolt, Hex 5/16-18 UNC x 1-5/8 | 93 | 532006274 | Shift Ball Cover Gasket |
| 45 | 532006271 | Oil Seal | 94 | 876020412 | Cotter Pin 1/8 x 3/4 |
| 46 | 813060200 | Pipe Plug 1/4-18 N.P.T. | 95 | 810040500 | Lockwasher 5/16 |
| 47 | 874780524 | Hex Bolt 5/16-18 x 1-1/2 Grade 5 | 96 | 874760514 | Hex, Bolt 5/16 x 18 UNC x 7/8 |
| 48 | 810140500 | Lockwasher 5/16 Extra Heavy | 97 | 532124863 | Gear Shift Lever Assembly |
| 49 | 532124792 | Needle Bearing | 98 | 532122420 | Transaxle Assembly Less Brake Drum Shift Lever |
| 50 | 532004222 | Needle Bearing | | | |

NOTE: All component dimensions given in U.S. inches.
1 inch = 25.4 mm